

# NVE

National Vacuum Equipment

## Challenger Vacuum Pump Oil

**Recommended Oil for Challenger Series Vacuum Pumps**



### ISO 68 Vacuum Pump Oil

- Specially blended for Challenger Vacuum Pumps
- Superior service in critical applications
- Non-foaming with excellent protection against wear, corrosion and rust.



### Remote Oil Tank

## National Vacuum Equipment

2670 Aero Park Drive

Traverse City, MI 49686 USA

800-253-5500 | sales@natvac.com

## Arkansas Warehouse

1612 Warehouse Drive

Fayetteville, AR 72701 USA

479-444-8211

[www.natvac.com](http://www.natvac.com)

# NVE

National Vacuum Equipment

## Side Frame Mount Belt Drive Pump Stand Assembly

Made to accomodate the 367 Fan or Liquid Cooled Vacuum Pump

### 367 Side Frame Mount Belt Drive

Made in the USA



**National Vacuum Equipment**

2670 Aero Park Drive

Traverse City, MI 49686 USA

800-253-5500 | [sales@natvac.com](mailto:sales@natvac.com)

[www.natvac.com](http://www.natvac.com)

# NVE

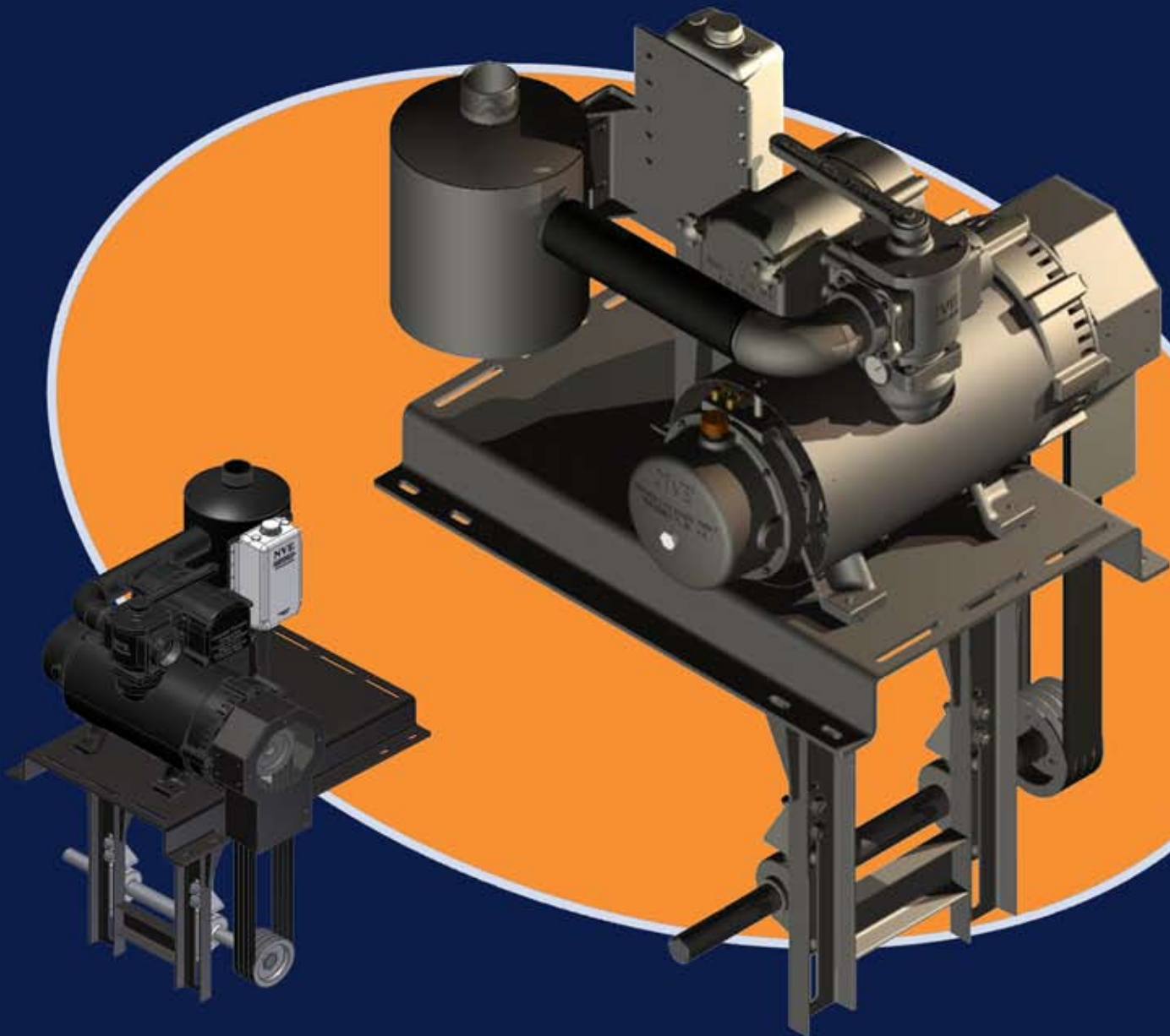
National Vacuum Equipment

## Top Frame Mount Belt and Pulley Pump Stand Assembly

Made to accomodate the 367 Fan or Liquid Cooled Vacuum Pump

### 367 Top Frame Mount Belt Drive

Made in the USA



**National Vacuum Equipment**

2670 Aero Park Drive

Traverse City, MI 49686 USA

800-253-5500 | [sales@natvac.com](mailto:sales@natvac.com)

[www.natvac.com](http://www.natvac.com)

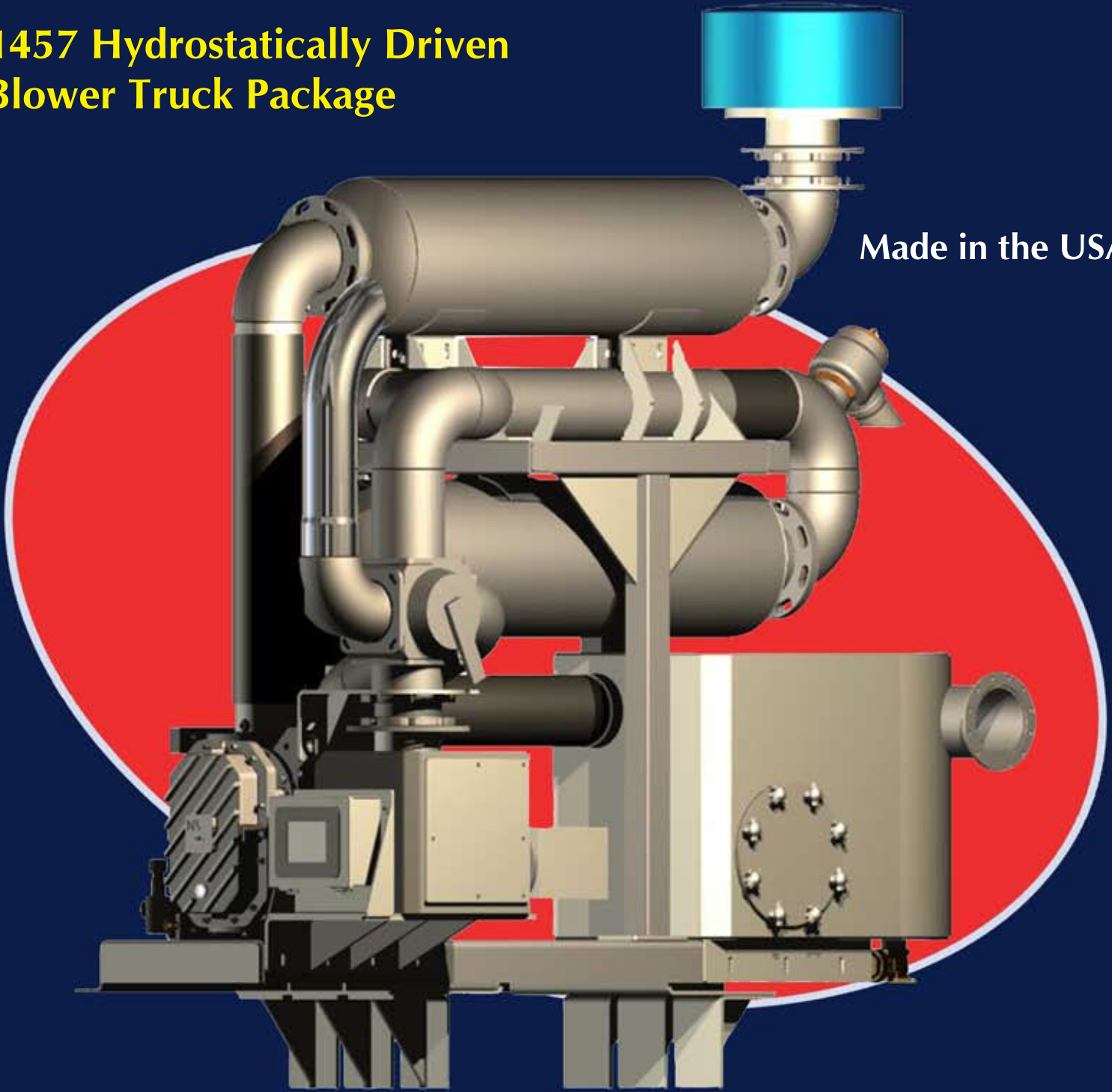
# NVE

National Vacuum Equipment

## NVE Blower Series 1457 Hydrostatically Driven Blower Truck Package

Maximun Airflow 1546 CFM

### 1457 Hydrostatically Driven Blower Truck Package



Made in the USA

**National Vacuum Equipment**

2670 Aero Park Drive

Traverse City, MI 49686 USA

800-253-5500 | [sales@natvac.com](mailto:sales@natvac.com)

[www.natvac.com](http://www.natvac.com)

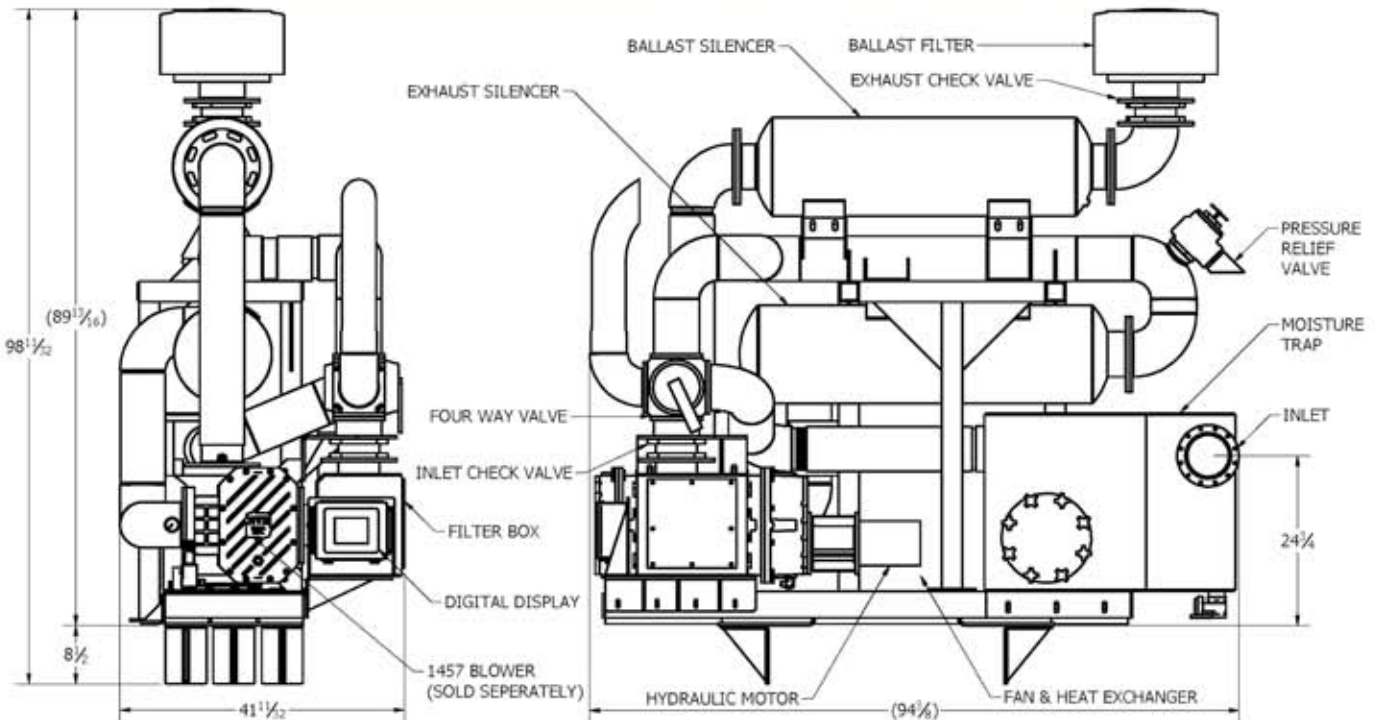
Air injected through our unique internally manifolded system allows these rugged machines to perform continuously at maximum vacuum. In addition to the blower, we manufacture the entire package in our Michigan facilities. This ensures proper fit and function, and gives you the peace of mind that comes from knowing who stands behind your purchase.

The hydrostatically driven blower package was designed with a narrow profile to allow greater conformity to a wider range of vacuum trucks. In addition, being hydrostatically driven provides a more robust system design protecting the system components from the unexpected.

Specifications of 1457 hydrostatically driven blower package

- Blower, filters, fourway and digital display mounted on driver side for operating convenience.
- Hi-tech digital display monitors vacuum/pressure, blower exhaust temp, blower rpms and truck voltage.
- Includes a closed loop hydrostatic system with an externally mounted fan and heat exchanger for improved heat dissipation.
- Rugged 3/8" steel construction mounting frame
- Powdercoated finish provides a well deserved level of protection for your equipment to meet the demands of the job site
- All componentry listed below is provided, however the 1457 blower is sold separately

RPM		Vacuum - Inches of Mercury					
		0	9	18	21	24	27
2400	Hp.	25.4	35.7	53.8	60.4	67.8	
	CFM	1040	906	799	661	386	
2800	Hp.	28.6	40.2	60.6	68.0	76.3	
	CFM	1218	1061	936	774	305	
3200	Hp.	32.2	48.0	72.5	83.1	91.2	94.1
	CFM	1382	1204	1062	878	642	155
3600	Hp.	37.0	53.4	80.6	92.4	101.4	104.6
	CFM	1546	1347	1188	982	718	206



**National Vacuum Equipment**

2670 Aero Park Drive | Traverse City, MI 49686 USA  
 800-253-5500 | sales@natvac.com | www.natvac.com

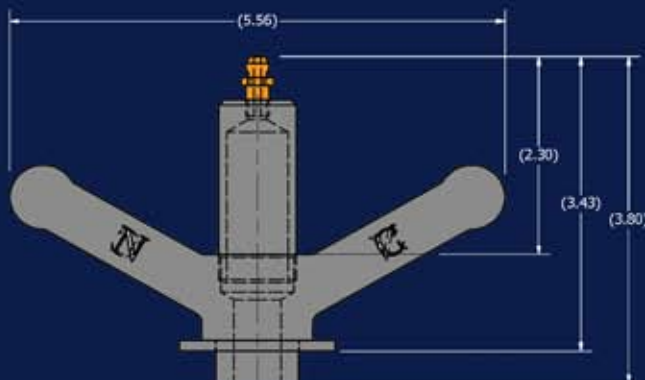
# NVE

National Vacuum Equipment

## NVE Lubenut Wingnut with Grease Cap and Zerk

Excellence in Design and Manufacturing

[www.natvac.com](http://www.natvac.com)



### Lubenut Specs

Grease cap and zerk modified onto standard wingnut

Zink plated and corrosion resistant

Direct replacement for standard 5/8 wingnut

Prevents binding upon opening/closing of hatches

**National Vacuum Equipment**

2670 Aero Park Drive

Traverse City, MI 49686 USA

800-253-5500 | [sales@natvac.com](mailto:sales@natvac.com)

# NVE

National Vacuum Equipment

## Butterfly Valves

NVE Valves and Accessories

**4" or 8" Sizes**

**Nylon Coated Disc**

**Ductile Iron Body**

**Epoxy Coated**



[www.natvac.com](http://www.natvac.com)

**National Vacuum Equipment**

2670 Aero Park Drive

Traverse City, MI 49686 USA

800-253-5500 | [sales@natvac.com](mailto:sales@natvac.com)

**Arkansas Warehouse**

1612 Warehouse Drive

Fayetteville, AR 72701 USA

479-444-8211



# NATIONAL VACUUM EQUIPMENT

## RIV Brass Valve Order Form



Part Number	Description	Retail Price	Qty
362-301-2	2" Lever Valve	50.00	
362-301-3	3" Lever Valve	87.00	
362-301-4	4" Lever Valve	120.00	
362-301-6	6" Lever Valve	265.00	
354-302-4	4" Flange, Piston Valve	135.00	
354-302-6	6" Flange, Piston Valve	160.00	
354-302-66	6" NPT/Flange, Piston Valve	160.00	
356-302-4	4" NPT, Piston Valve	89.00	
358-302-6	6" NPT, Piston Valve	145.00	
350-302-4	4" Air Act. Piston Valve	215.00	
352-302-6	6" Air Act. Piston Valve	225.00	



Part Number	Description	Retail Price	Qty
356-300-46RH	4"/6" Handle, Piston Valve	25.50	
364-306-1.25	1.25 NPT Pressure Relief	24.00	
364-306-015	1.50 NPT Pressure Relief	28.00	
364-306-2	2.00 NPT Pressure Relief	34.00	
366-150	1.50 NPT Vacuum Relief	21.00	
360-310-2	2" Ball Valve, Full Port	36.00	
360-310-3	3" Ball Valve, Full Port	125.00	
360-310-4	4" Ball Valve, Full Port	225.00	

COMPANY NAME: \_\_\_\_\_

DATE: \_\_\_\_\_

National Vacuum Equipment, Inc.  
 P.O. Box 685 Traverse City, MI 49685-0685  
 800-253-5500 (Phone)

Please Fax this Order Form to  
 NVE at our 24-hour toll-free number.  
 800-998-6834 (FAX)

All prices are  
 subject to change  
 without notice.