



**Powerful. Performance.**

**NVE DEFENDER 500 – Ballast Port Cooled**

# Defender 500 By Challenger

## Commercial Duty Vacuum Pump

Ballast Port Cooling for Extended Use  
in Severe Conditions

*Superior  
Design!*



### National Vacuum Equipment

2670 Aero Park Drive  
Traverse City, MI 49686 USA  
800-253-5500 | sales@natvac.com

### Arkansas Distribution Center

1612 Warehouse Drive  
Fayetteville, AR 72701  
479-409-7331, 479-409-6748 | Fax 479-444-8211

[www.natvac.com](http://www.natvac.com)

## NVE DEFENDER 500 – Ballast Port Cooled

Our Challenger Series pumps are designed and built with the customer in mind – resulting in dependable, high performing pumps that are easy to install, operate and service. **Compare and you will see that our superior design beats the competition on the following:**

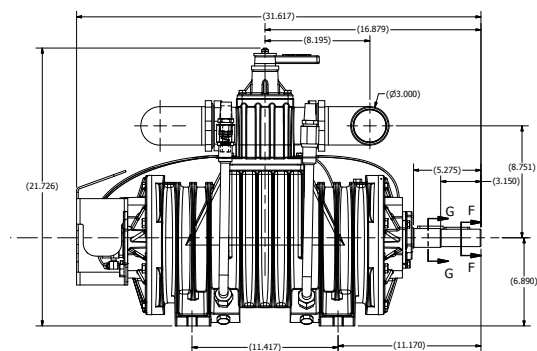
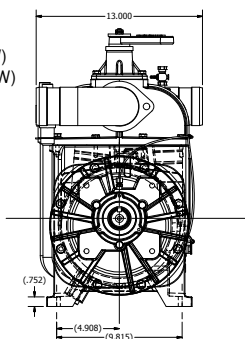
- |   |   |
|---|---|
| <ul style="list-style-type: none"> <li>• <b>One Piece Shaft Design</b></li> <li>• <b>Remote Oil Tank</b></li> <li>• <b>Oiled Bearings, Front &amp; Back</b></li> <li>• <b>Heat Viton Seals</b></li> <li>• <b>4 Port Oil Pump for Controlled Delivery</b></li> <li>• 310 cfm at 1200 rpm</li> <li>• RPM Range 1000 - 1200</li> </ul> | <ul style="list-style-type: none"> <li>• Max Intermittent Pressure 21 PSI</li> <li>• 18 Horsepower</li> <li>• Automatic Lubrication</li> <li>• 4-Way Change Over Valve</li> <li>• 3" Swivel Elbows</li> <li>• Heat Resistant Kevlar Vanes</li> <li>• <b>Built and Supported in the USA</b></li> </ul> |
|---|---|

### Defender 500

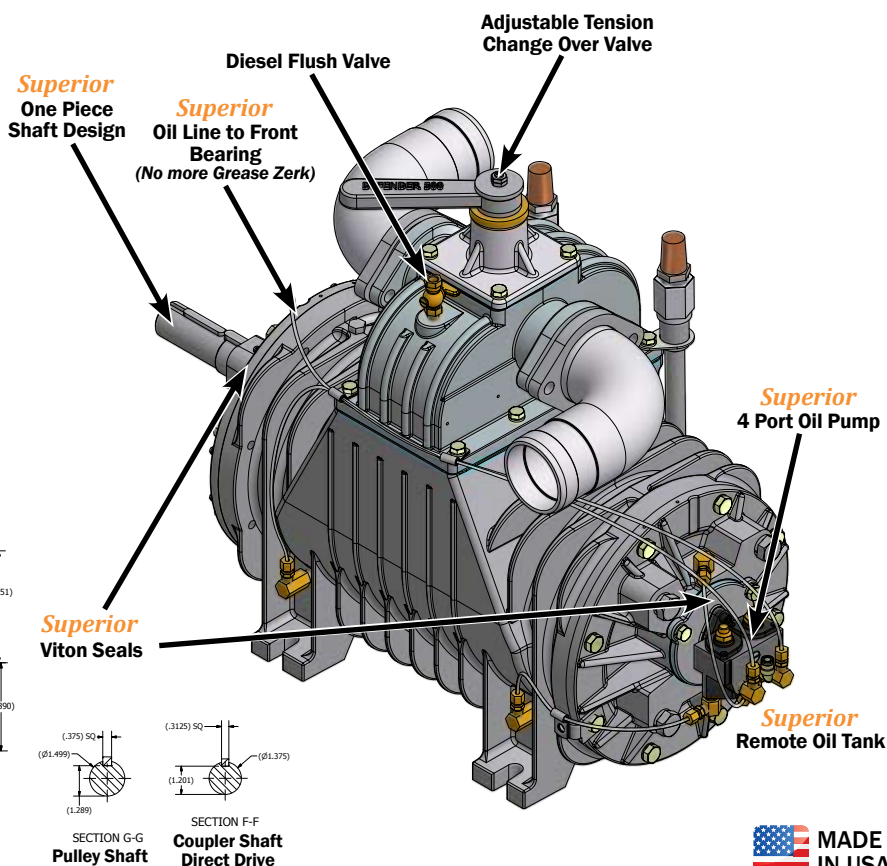
**Dimensions:** 13" W x 31.6" L x 21.7" H

**Weight:** 397 Lbs.

Model #108-500-D (CW)  
Model #108-500-S (CCW)



All specifications subject to change without notice.



### National Vacuum Equipment

2670 Aero Park Drive  
Traverse City, MI 49686 USA  
800-253-5500 | sales@natvac.com

### Arkansas Distribution Center

1612 Warehouse Drive  
Fayetteville, AR 72701  
479-409-7331, 479-409-6748 | Fax 479-444-8211